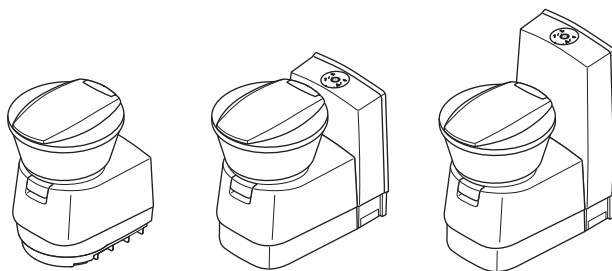


↗ DOMETIC SANITATION TOILETS



CT4050, CTLP4110, CTS4110

EN

Cassette toilet
Installation Manual

Please read this instruction manual carefully before installation and first use, and store it in a safe place. If you pass on the product to another person, hand over this instruction manual along with it.

Table of contents

1	Explanation of symbols	4
2	Safety instructions	4
2.1	General safety	4
2.2	Installation instructions	5
3	Intended use	5
4	Technical description	5
4.1	Description of the components	6
5	Installing the toilet	7
5.1	Installing the service door	7
5.2	Making wall cutouts	7
5.3	Setting up the toilet	8
5.4	Installing CT model	12
5.5	Installing models CTLP, CTS	17
5.6	Connecting the water supply	20
5.7	Venting the cartridge tank	21
6	Electrical connection	22
6.1	Connecting external water pump	23
7	Technical data	26

1 Explanation of symbols

**CAUTION!**

Safety instruction: Failure to observe this instruction can lead to injury.

**NOTICE!**

Failure to observe this instruction can cause material damage and impair the function of the product.

**NOTE**

Supplementary information for operating the product.

2 Safety instructions

The manufacturer accepts no liability for damage in the following cases:

- Faulty assembly or connection
- Damage to the product resulting from mechanical influences and excess voltage
- Alterations to the product without express permission from the manufacturer
- Use for purposes other than those described in the operating manual

The declaration of conformity can be requested from the manufacturer (contact information on the back).

2.1 General safety

**CAUTION!**

- This device can be used by children aged 8 years or over, as well as by persons with diminished physical, sensory or mental capacities or a lack of experience and knowledge, providing they are supervised or have been taught how to use the device safely and are aware of the resulting risks.
- Cleaning and user maintenance must not be carried out by unsupervised children.
- Children must be supervised to ensure that they do not play with the device.
- The toilet may be installed only by trained personnel.

**NOTICE!**

- All components of the system must be installed in frost-free areas. In freezing temperatures, there is a risk of damage caused by frost.
- Do not use antifreeze. These agents may damage the cassette toilet.
- The operating pressure (water pressure) of the solenoid valve should not exceed 6 bar. The solenoid valve is damaged by excessive pressure.
- The electrical installation must comply with national and local regulations.
In Europe: EN 1645-1, EN 1646-1, EN 1648-1, EN 1648-2

2.2 Installation instructions

The toilet must be installed so that it is accessible for service work, is easy to de-install and install, and can be removed from the vehicle without much effort.

3 Intended use

The toilet is designed for installation and use in recreational vehicles such as camper vans or motor caravans.

4 Technical description

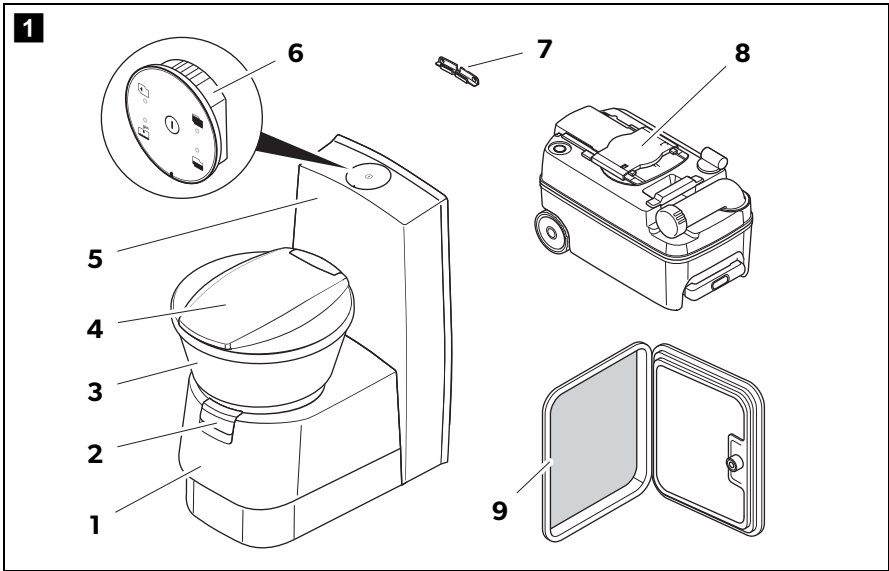
The cassette toilet CTx 4xxx consists of a toilet permanently installed in the vehicle and a removable, mobile cassette as a holding tank. The cassette is externally accessible through a door. Depending on the model, the toilet is supplied with rinse water from the vehicle-side freshwater tank or a tank integrated in the housing.

The following model versions of the toilet are available:

- **CT4050**: detached, without water tank, without console
- **CTLP4110**: detached, without water tank, low console
- **CTS4110**: detached, without water tank, with console

The 4050 models can be installed in a wet room.

4.1 Description of the components



No. in fig. 1	Designation
1	Housing for cassette tank
2	Draining slider for toilet bowl
3	Toilet bowl, ceramic
4	Lid and seat, rotatable
5	Console
6	Control and operating panel
7	CTLP, CTS only: Wall bracket
8	Cassette tank (capacity 19 l)
9	Service door (accessories)

5 Installing the toilet

5.1 Installing the service door

Model-dependent installation instructions are included with the service door (**📖 Dometic SK4, SK5**).

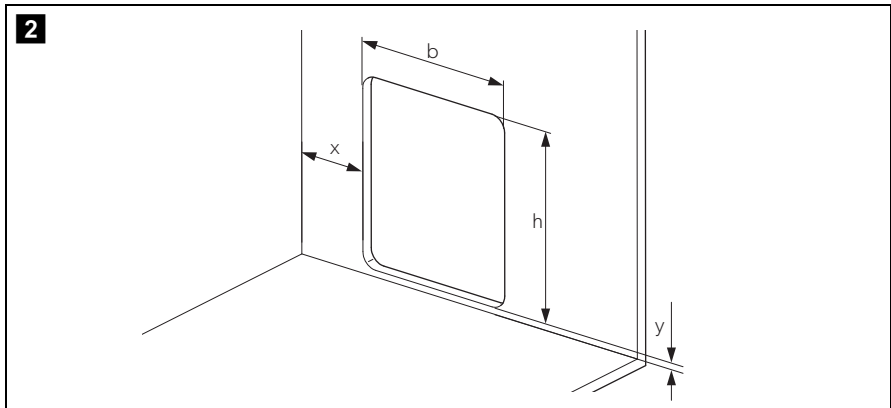


NOTE

Prepare the feed-through for the vent hose at the desired location (chapter "Venting the cartridge tank" on page 21).

5.2 Making wall cutouts

- Follow the instructions of the installation manual that comes with the service door.



- Make a rectangular opening in the outer wall with the following dimensions (fig. **2**):

Service door wall cutout SK4:

- $y = 25 \text{ mm}$
- $b = 305 \text{ mm} \pm 1 \text{ mm}$
- $h = 375 \text{ mm} \pm 1 \text{ mm}$

Service door wall cutout SK5:

- $y_{\min} = 12.5 \text{ mm}, y_{\max} = 28 \text{ mm}$
- $b = 310 \text{ mm} \pm 1 \text{ mm}$
- $h = 360 \text{ mm} \pm 1 \text{ mm}$

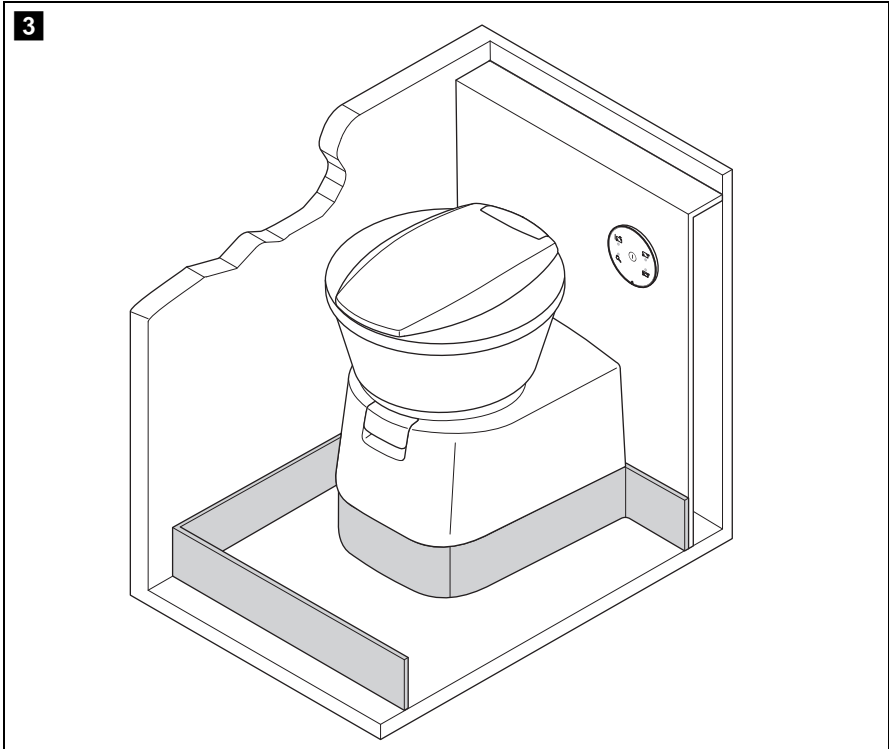
The dimension x results from the placement of the toilet.

5.3 Setting up the toilet



NOTICE!

All components of the system must be installed in frost-free areas. In freezing temperatures, there is a risk of damage caused by frost.

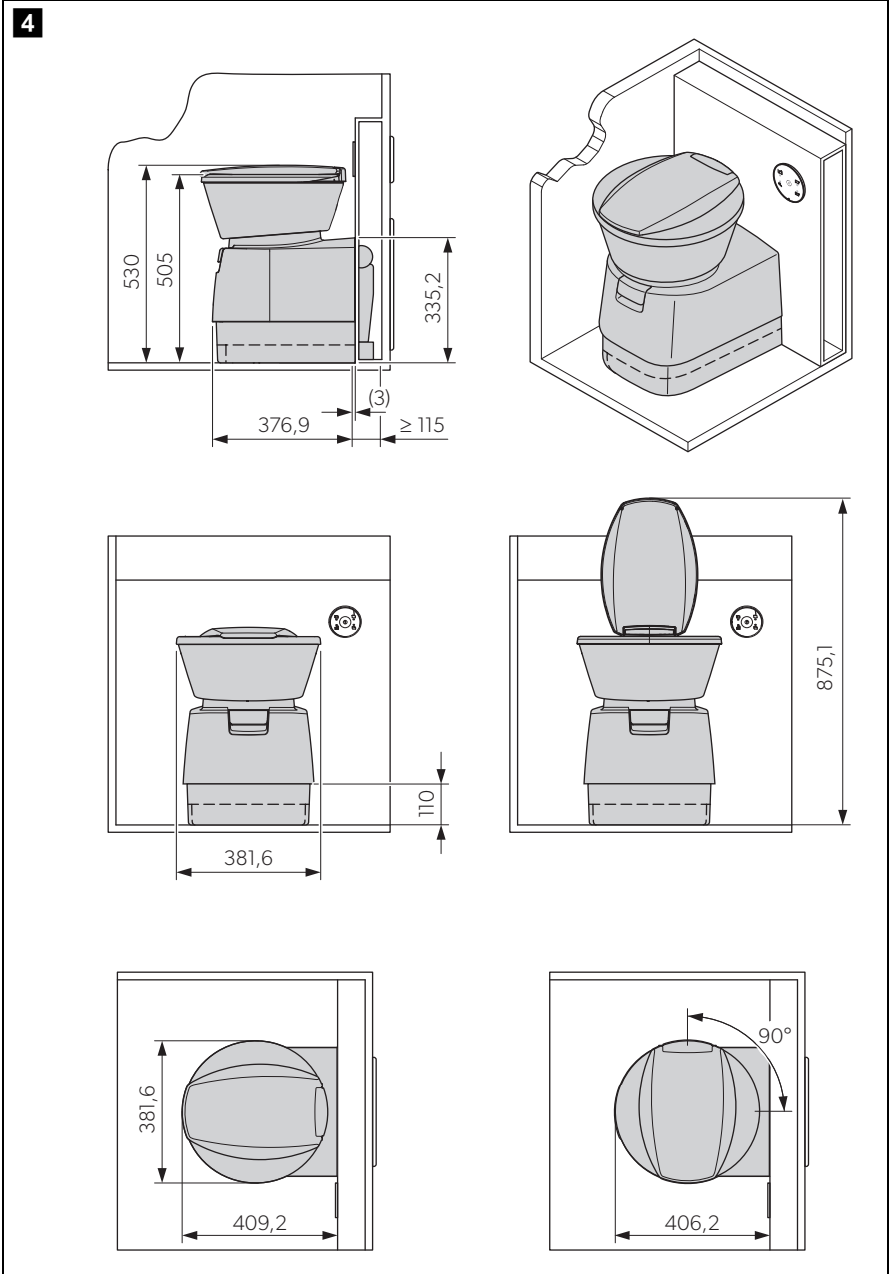


NOTE

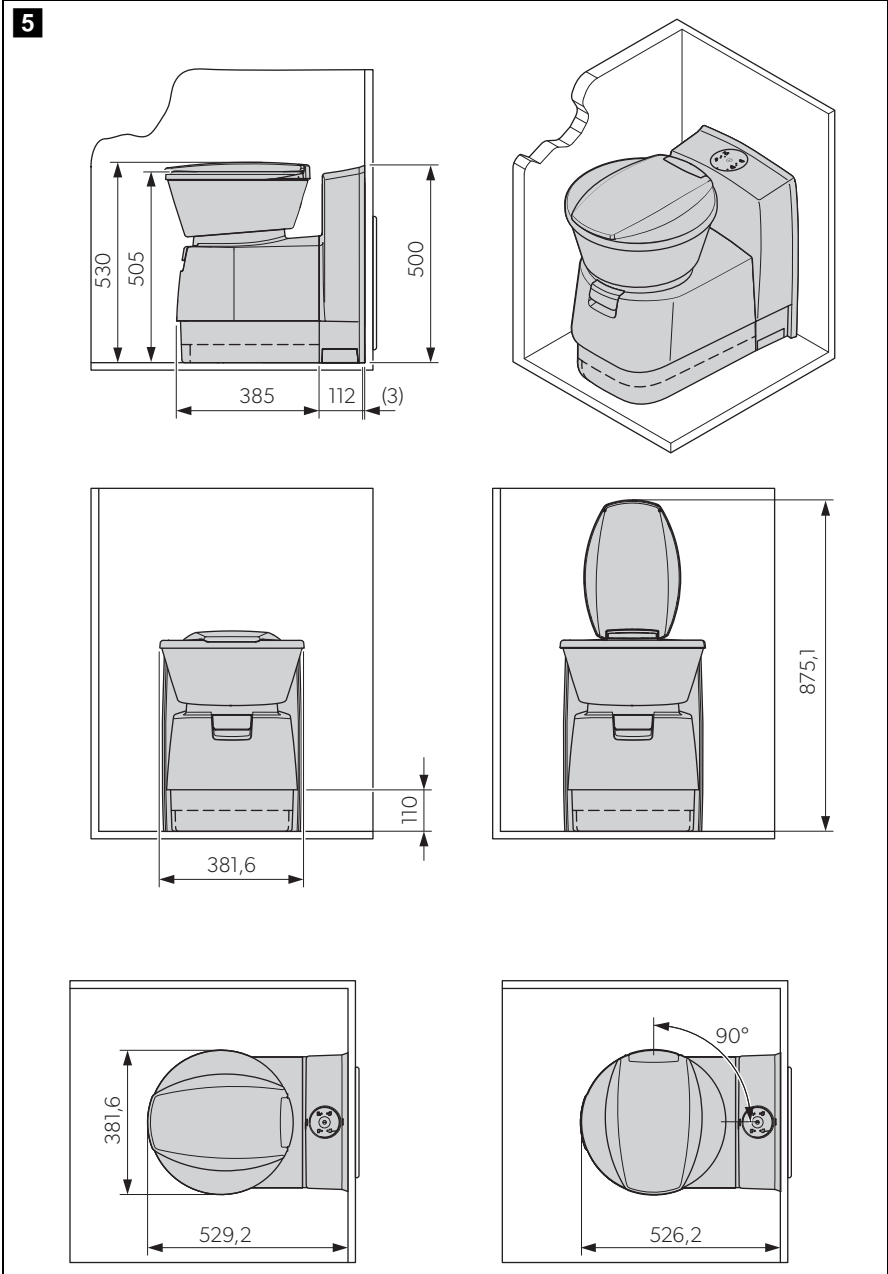
- When installing the toilet in a wet room, the manufacturer recommends that you connect the toilet to the shower tray.
- The toilet base is equipped with a protruding collar for receiving the upper edge of the shower tray (fig. **3**).

- Install the toilet according to the description for the respective model version.
- Set up the toilet so that it is flush to a vertical wall only.
- Leave enough space so that actuation of the draining slider is not restricted.
- For the installation, use the dimensional drawings:

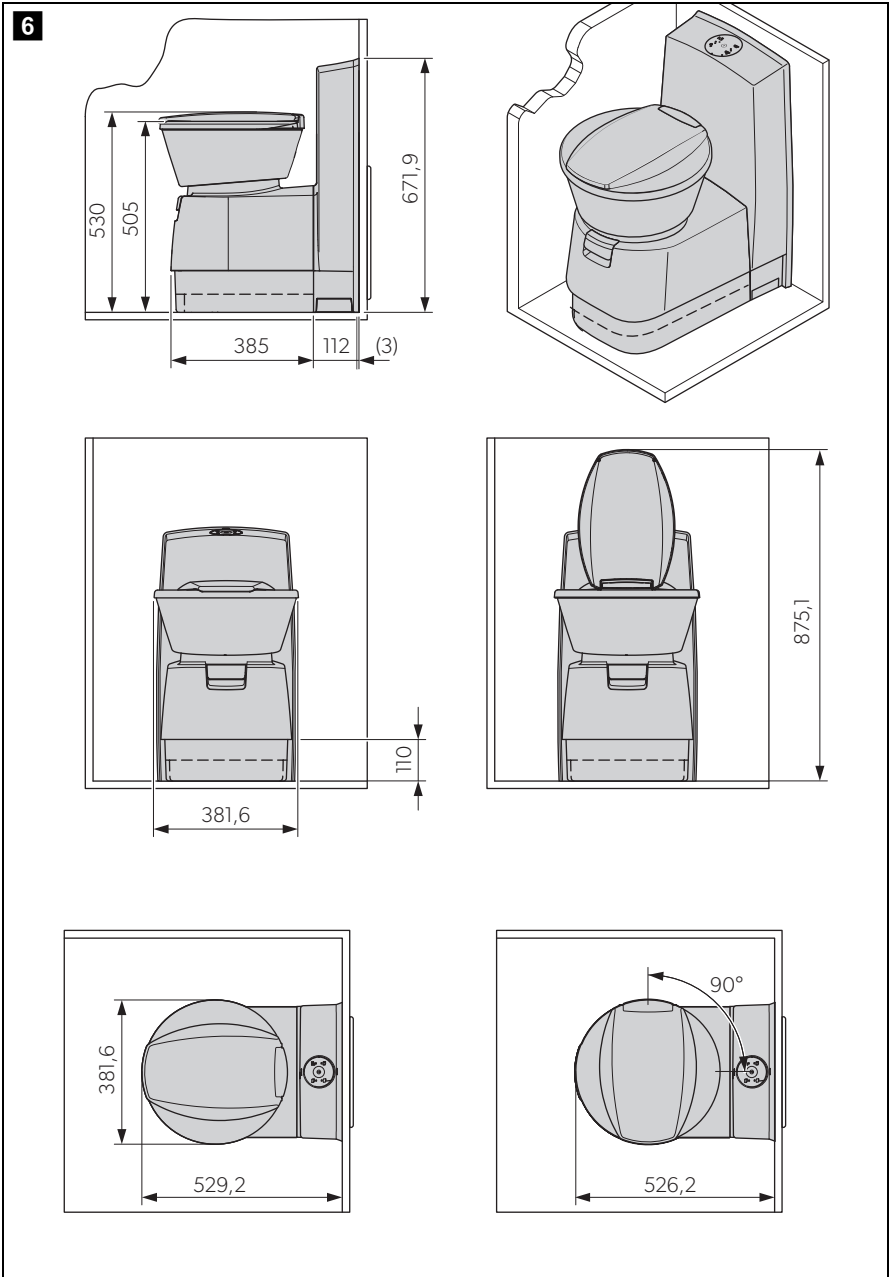
CT4050: fig. 4



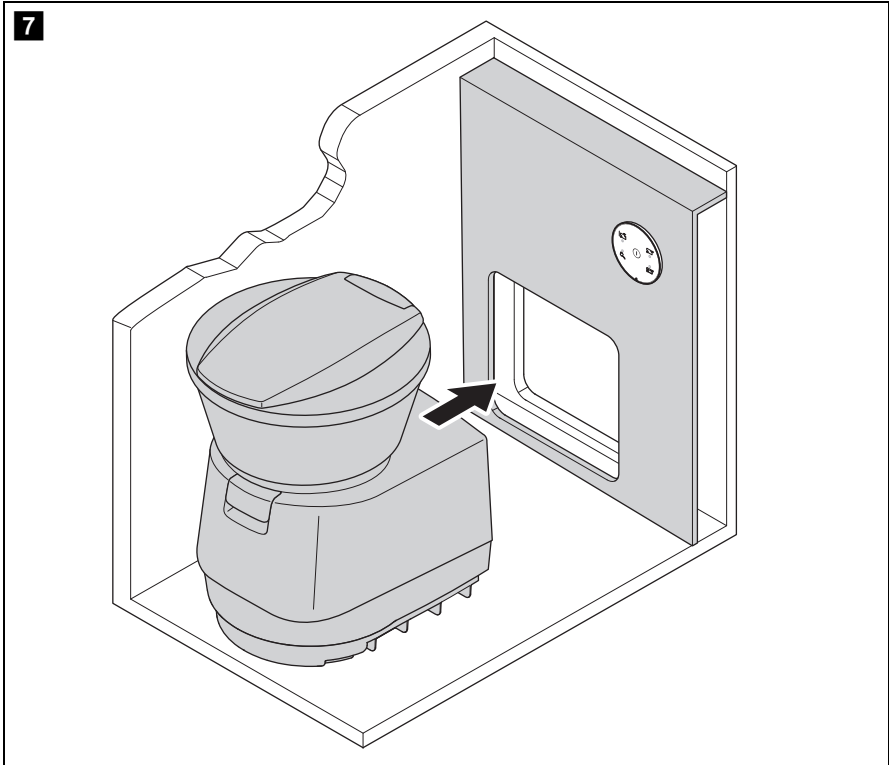
CTLP4110: fig. 5



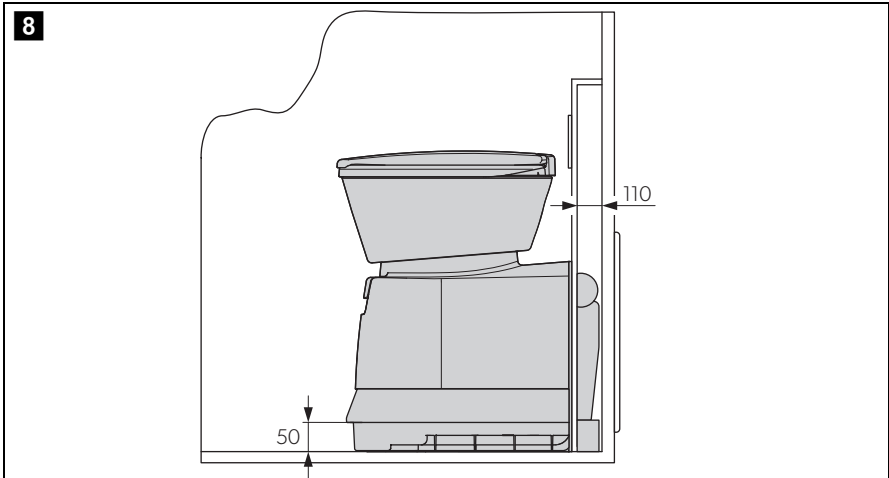
CTS4110: fig. 6



5.4 Installing CT model



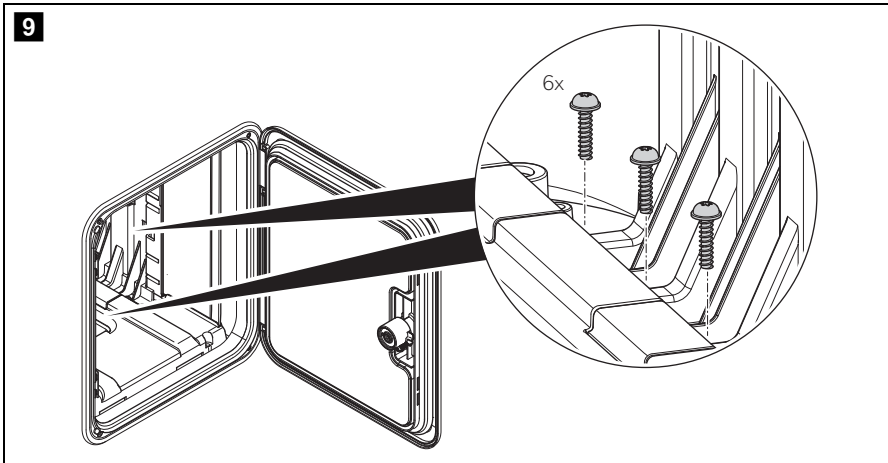
The detached model CT4050 has no integrated water tank and no console. Set up this model so that the wall behind it can accommodate the control unit of the toilet, the electrical connections and possibly a water tank. It is best if you put a box in front of the room wall (fig. **7**).



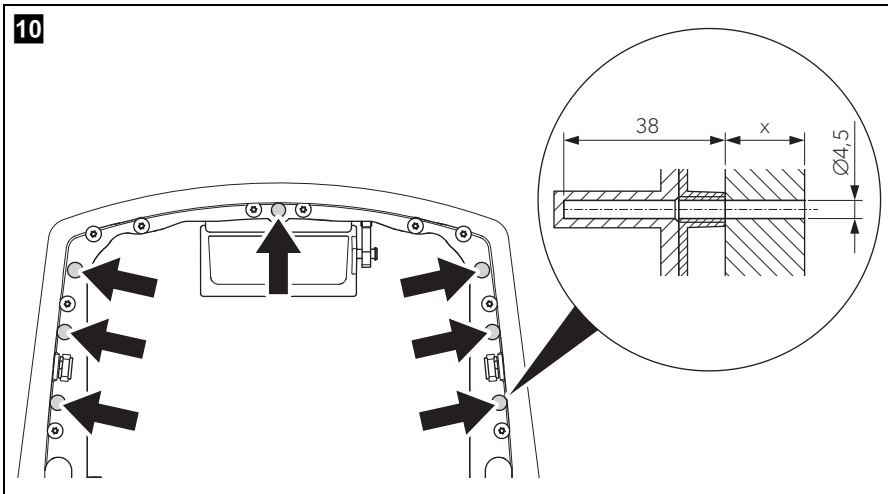
- Align the toilet according to the service door.
- Place the housing base flush with the installation box so that there is a clean transition and no gap.

Attaching toilet CT 4050

- Place the toilet in the desired position.



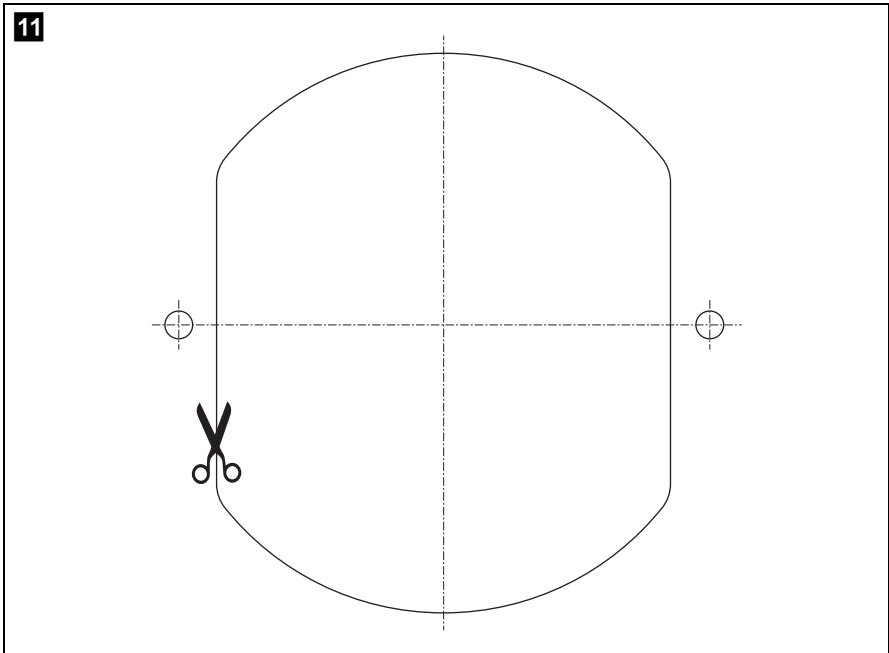
- Tightly fasten the base plate with six bolts (fig. **9**).



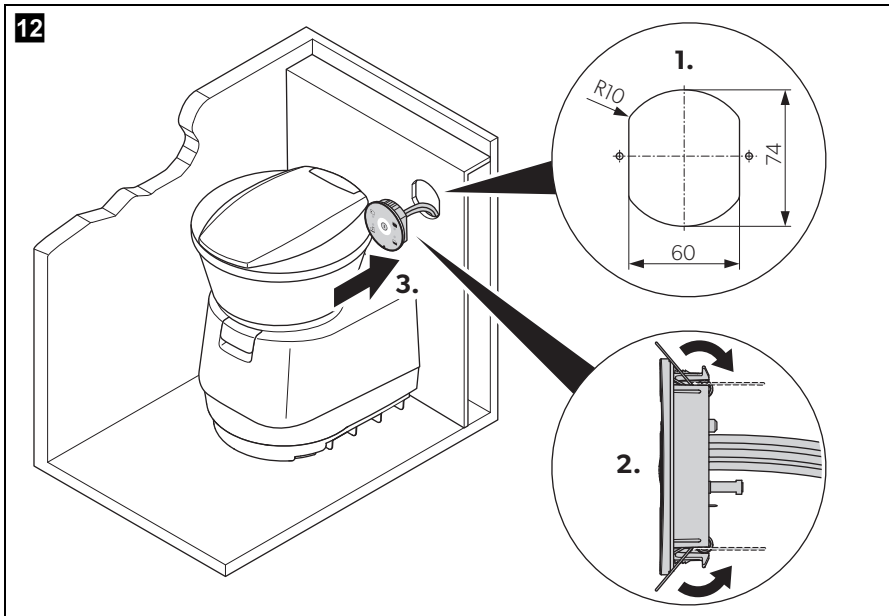
- Bolt the toilet housing to the wall (using a maximum of 7 bolts, not included) (fig. **10**).

Installing the control and operating panel of the CT 4050 toilet

Install the control and operating panel in the wall in the immediate vicinity of the toilet at an easily accessible location.



- Use a copy of the 1:1 scale template (fig. **11**) to make the wall cutout.



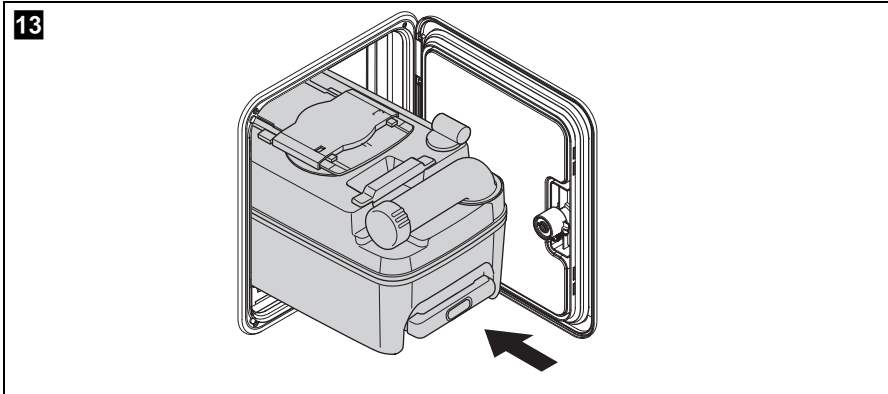
- Prepare an opening in the installation box for the control and operating panel (fig. 12).
- Connect the electrical cables to the connections of the control and operating panel (chapter “Electrical connection” on page 22).



CAUTION!

There is a risk of injury due to the springs springing back!

- Press in the retaining springs of the control and operating panel and push it into the wall cutout.
- Follow the instructions in (chapter “Connecting the water supply” on page 20).

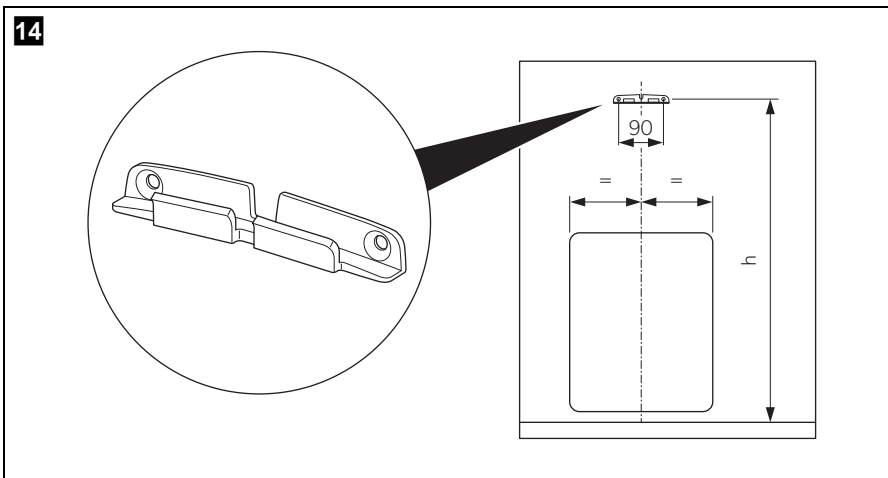


- Slide in the mobile tank cassette (fig. **13**).

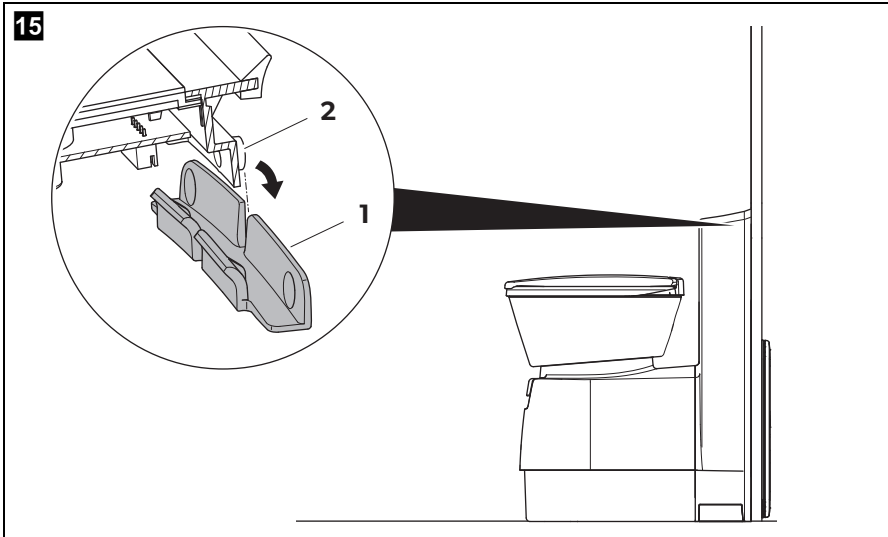
5.5 Installing models CTLP, CTS

These models have a wall connection console. The control and operating panel is integrated in the wall connection console.

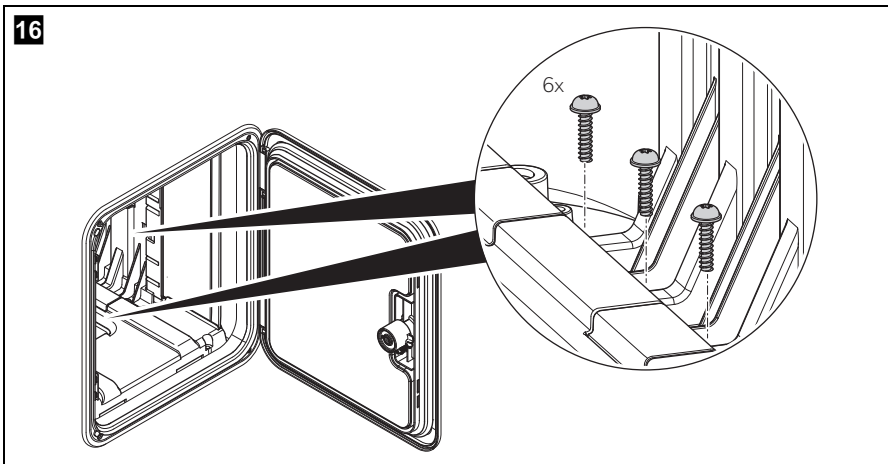
Set up all models with wall connection console directly against the room wall. A previously attached wall bracket is used to secure the toilet and the wall bracket.



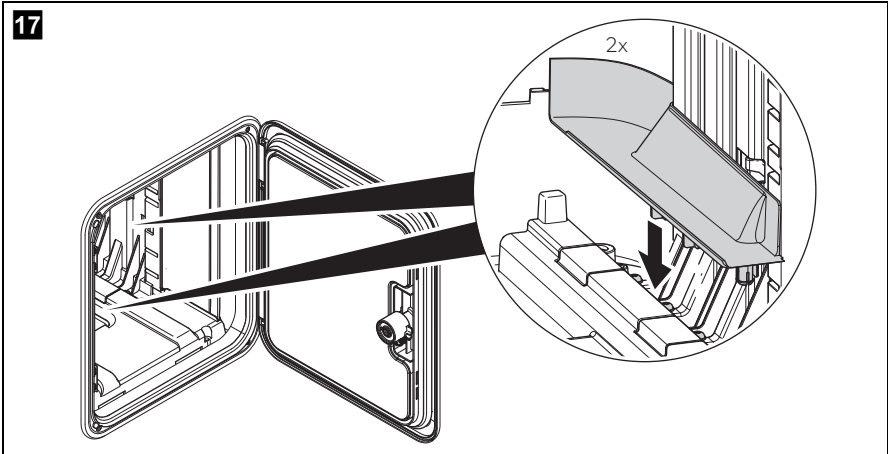
- Screw on the wall bracket, level, at the following height (fig. **14**):
- **CTLP4110**: $h = 479.5 \text{ mm}$
 - **CTS4110**: $h = 651.5 \text{ mm}$



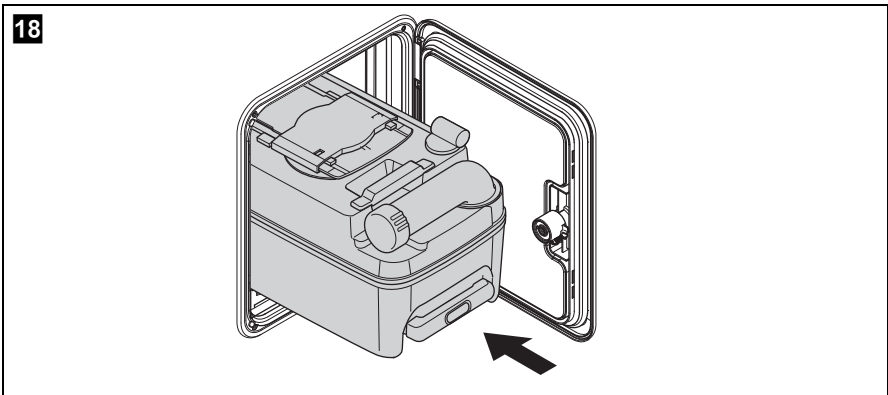
- Put the entire toilet module into the desired position in front of the wall bracket.
- Lift the toilet and hook the housing into the wall bracket (fig. **15**).



- Tightly fasten the base plate with six bolts (fig. **16**).

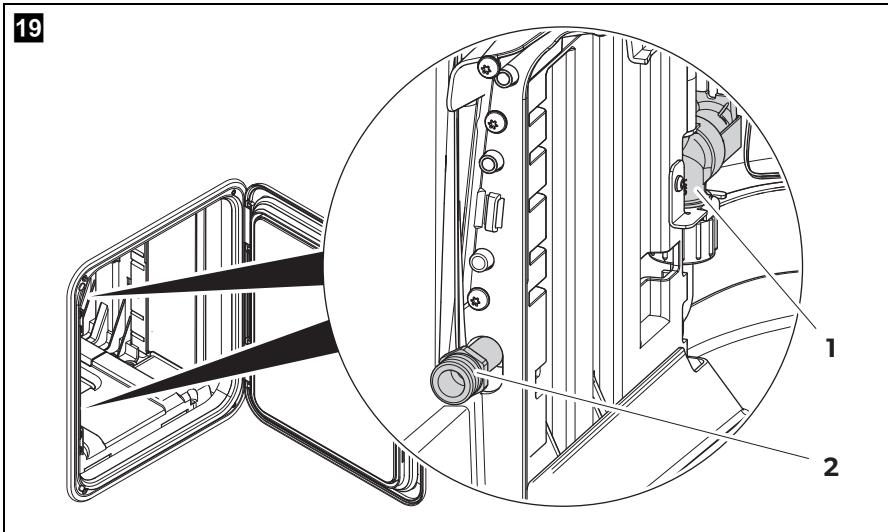


- Place the two covers over the fastening screws in the base plate (fig. **17**).
- Follow the instructions in (chapter "Connecting the water supply" on page 20).



- Slide in the mobile tank cassette (fig. **18**).

5.6 Connecting the water supply



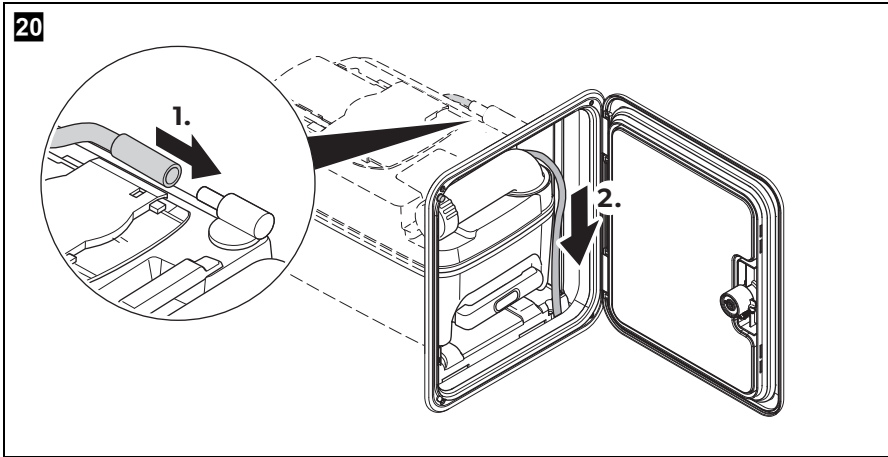
NOTICE!

- The water supply is connected using a solenoid valve mounted in the toilet housing (fig. 19 1).
- The operating pressure (water pressure) of the solenoid valve should not exceed 6 bar.
- The solenoid valve is damaged by excessive pressure.

- Use a spring band hose clamp to attach the freshwater supply hose to the connection socket (fig. 19 2).
- Perform a leak test.

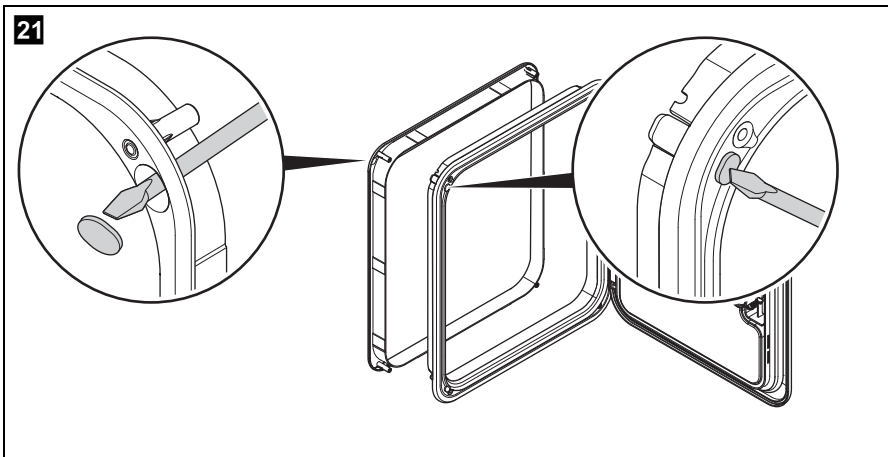
5.7 Venting the cartridge tank

Service door SK4 and SK5

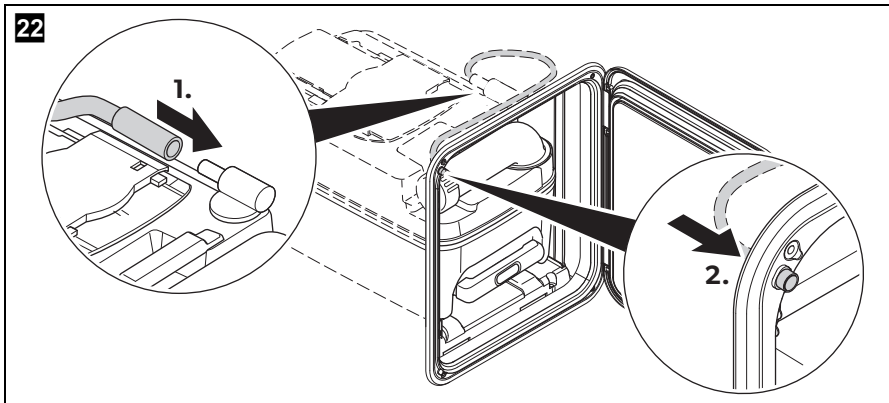


- In the niche floor, create an opening with a diameter of approx. 12 mm (fig. **20**).
- Run the vent hose into this opening for discharge to the outside.

Service door SK5 (optional)



- Press the spray paint out of the inner frame of the door (fig. **21**).
- Install the door.



- Insert the hose of the vent into the integrated vent opening of the service door and the cassette tank (fig. 22).

6 Electrical connection



WARNING!

Have the electrical connection carried out by an electrician.



NOTICE!

- Do not connect the toilet to the voltage supply directly in parallel with other power-consuming devices.
- Do not connect the control of the toilet to a pressurised water pump.
- The rated capacity of an external water pump should not exceed 60 W.



NOTE

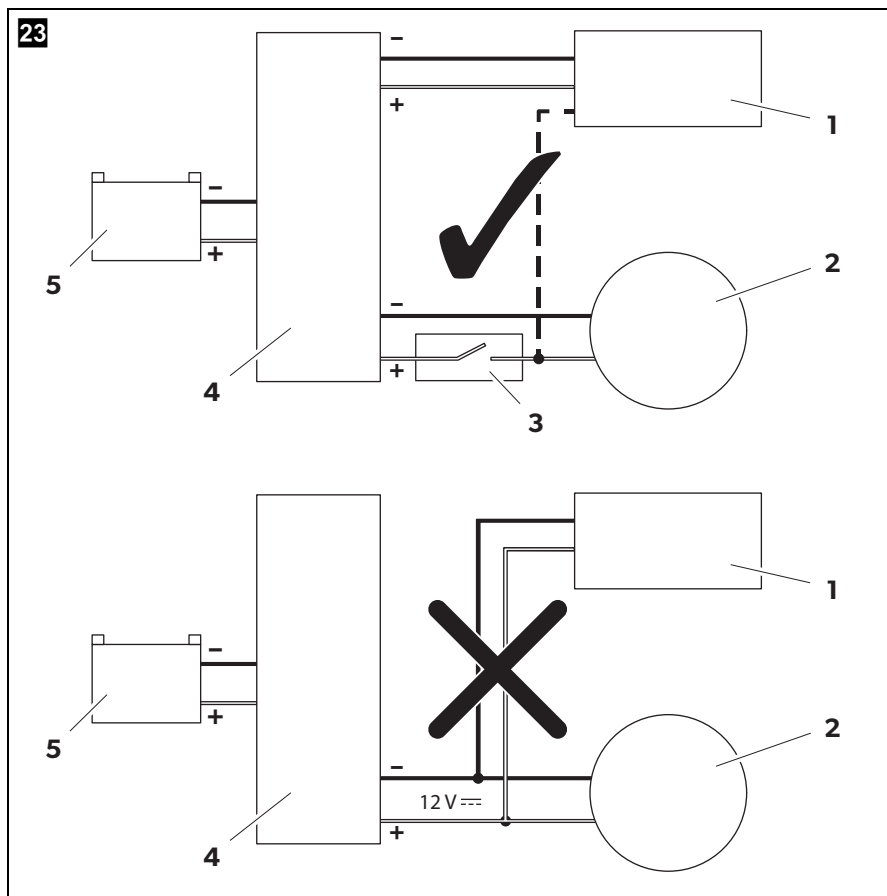
- The external water pump is not included in the scope of delivery.
- A pre-fuse is not necessary, because the toilet is internally fused.

6.1 Connecting external water pump



NOTICE!

- The rated capacity of an external water pump should not exceed 60 W.
- The 12 V connection cable must have a cross-section of at least 1.5 mm^2 .
- A 7.5 A automotive fuse is integrated in the toilet control.

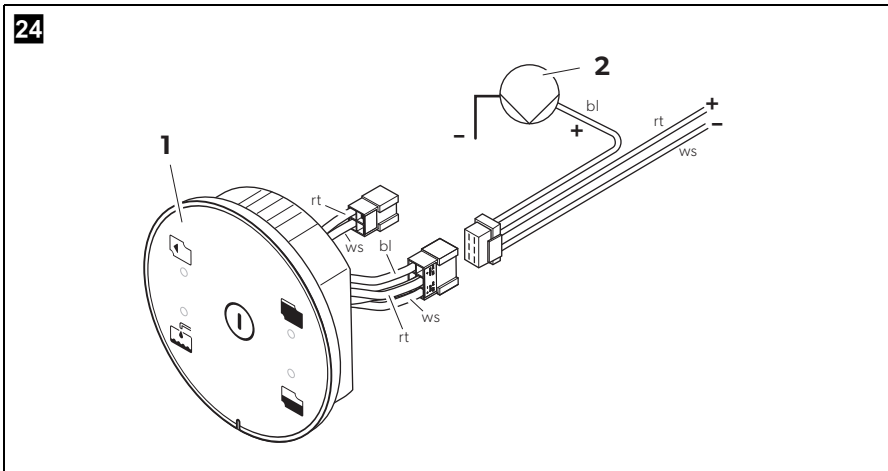


- Connect the toilet via the main terminal block of the vehicle to its own power supply (fig. **23**).

Key for fig. 23, page 23:

No.	Designation
1	Control and operating panel of the toilet
2	Water pump (please note: not a pressurised water pump!)
3	switch
4	Fuse/main terminal box
5	12 V $\overline{\text{=}}$ supply

System schema of the control and operating panel plug assignment:



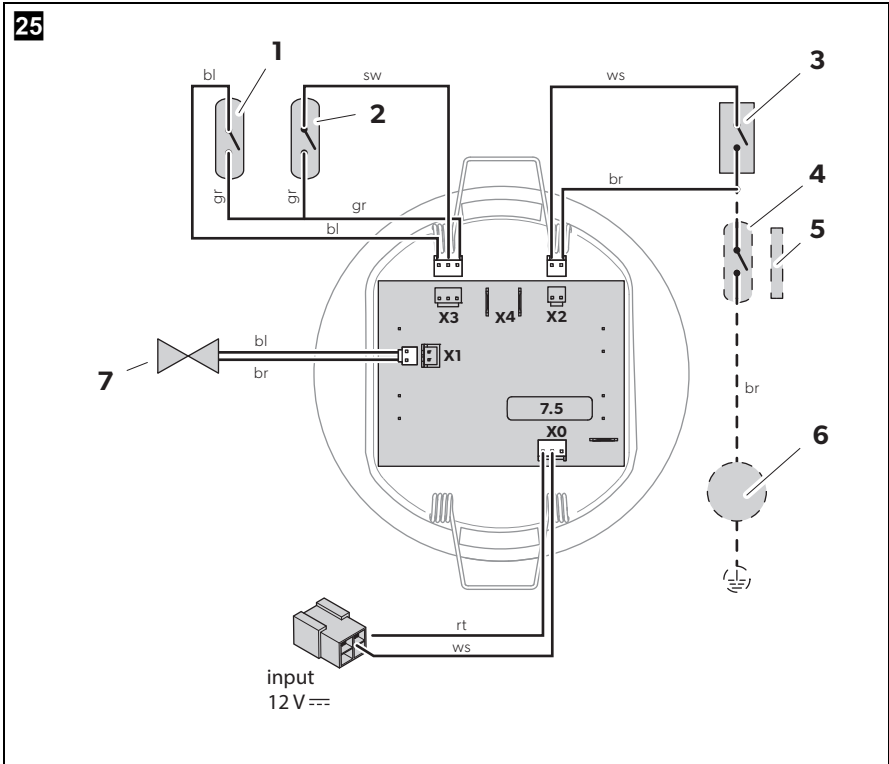
► Connect the external water pump (fig. 24).

Key for fig. 24:

	bl	br	gr	rt	sw	ws
EN	Blue	Brown	Grey	Red	Black	White

No.	Designation
1	Control and operating panel
2	Water pump




Wiring diagram for external water tank:



Key for fig. 25:

No.	Designation
1	Reed switch: Tank status 3/4 full
2	Reed switch: Tank status 1/1 full
3	Micro-switch: Position of cassette tank
4	With SOG [®] only: Reed switch for SOG [®] control
5	With SOG [®] only: SOG [®] control solenoid in the slide opening handle
6	With SOG [®] only: SOG [®] fan
7	Solenoid valve control

7 Technical data

	CT4000
Supply voltage:	12 V $\overline{=}$
Current consumption:	Max. 2 A with internal pump Max. 5 A with external pump
Dimensions:	See fig. 4 , page 9 to fig. 6 , page 11
Operating temperature:	0 °C to +50 °C
Required pump output:	Min. 7 l/min
Capacity:	19 l (cassette tank)
Test mark:	   ECE R10

Mobile living made easy.



dometic.com

**YOUR LOCAL
DEALER**

dometic.com/dealer

**YOUR LOCAL
SUPPORT**

dometic.com/contact

**YOUR LOCAL
SALES OFFICE**

dometic.com/sales-offices

A complete list of Dometic companies, which comprise the Dometic Group, can be found in the public filings of:
DOMETIC GROUP AB Hemvärnsgatan 15 SE-17154 Solna Sweden